



# **endurance**<sup>TM</sup>

gas continuous-flow specifications

**thinkcontinuous**  
enjoy the benefits of continuous hot water

**thinkcontrol**  
complete temperature control  
at your fingertips



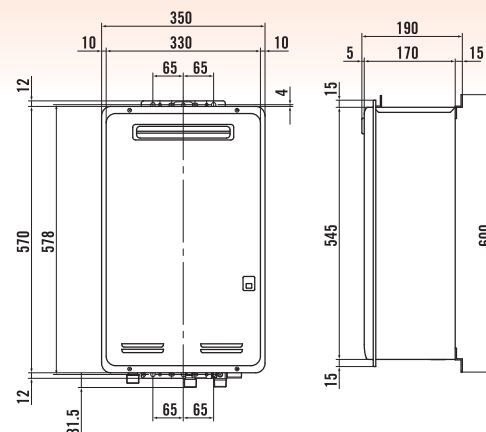
**thinkhotwater**

**1300 365 116**  
[www.dux.com.au](http://www.dux.com.au)

# endurance<sup>®</sup> premium & plus

## Why the Dux Endurance<sup>®</sup> systems are preferred

- The continuous-flow principle heats water as needed, only heating the water you use.
- Dux Endurance<sup>®</sup> Plus models in 16, 20, and 26 litres feature an all-weather cover. Endurance<sup>™</sup> Premium features a stainless steel cover.
- Anti-frost feature is standard on all models and protects the unit from damage during very cold temperatures.
- Range of delivery sizes 16, 20, & 26 litres per minute models – all available, allowing you to select the current model to suit your hot water usage needs.
- 5 Star energy rating – very efficient use of gas, reducing running costs and saving natural resources.
- Controllers available – the addition of controllers means the convenience of being able to vary hot water temperatures inside the home to suit individual needs. (Bathroom areas must be tempered when adding controllers).
- 10 Year Warranty – 10 years on heat exchanger including 3 yrs full parts & labour.



CAPACITY (LITRES)	PEOPLE
16	2-4
20	3-5
26	4-6

Adult icon can represent dishwasher or washing machine. An adult icon does not represent a spa bath.

SPECIFICATIONS	16 PLUS	20 PLUS	26 PLUS	26 PREMIUM
Hot Water Capacity	16L/min @ 25°C rise	20L/min @ 25°C rise	26L/min @ 25°C rise	26L/min @ 25°C rise
Minimum Water Flow	3 litres/minute	3 litres/minute	3 litres/minute	3 litres/minute
Water Inlet Pressure	150kPa (min) 1200kPa (max.)			
Water Connections (Inlet & Outlet)	R1/2/15 (1/2" BSP male)	R1/2/15 (1/2" BSP male)	R3/4/20 (3/4" BSP male)	R3/4/20 (3/4" BSP male)
Gas Types	Natural Gas and Propane LPG			
Gas Consumption	125MJ/hr (high) 17MJ/hr (low)	160MJ/hr (high) 17MJ/hr (low)	199MJ/hr (high) 17MJ/hr (low)	199MJ/hr (high) 17MJ/hr (low)
Gas Inlet	R3/4/20	R3/4/20	R3/4/20	R3/4/20
Dimensions (mm)	H:578 W:350 D:170	H:578 W:350 D:170	H:578 W:350 D:170	H:578 W:350 D:170
Net Weight (kg)	18	18	20	20
Controllers Available	3	3	3	2
Max Temp	Pre-set 50°C	Pre-set 50°C	Pre-set 50°C	60°C/75°C

\* Temperature rise at 45°C and inlet temperature of 15°C using natural gas



## Contact Dux for your Hot Water Solutions

Sales: 1300 365 116 Service: 1300 365 115 Web Site: [www.dux.com.au](http://www.dux.com.au)  
 © Dux Manufacturing Limited ABN 19 077 879 844. Lackey Rd, PO Box 209 Moss Vale, NSW 2577  
 The information supplied was correct at time of printing. Specification and materials may change without notice.  
 ® and ™ indicate trademarks of Dux Manufacturing Limited. Dux Manufacturing Limited is proudly Australian owned.

